

THIS DRAWING IS UNPUBLISHED. RELEASED FOR PUBLICATION  
 © COPYRIGHT BY TYCO ELECTRONICS CORPORATION. ALL RIGHTS RESERVED.

LOC		DIST		REVISIONS			
P	LTR	DESCRIPTION		DATE	DWN	APVD	
	C	0G3C-0588-03		14MAR07	BSV	MS	

**SPECIFICATIONS:**

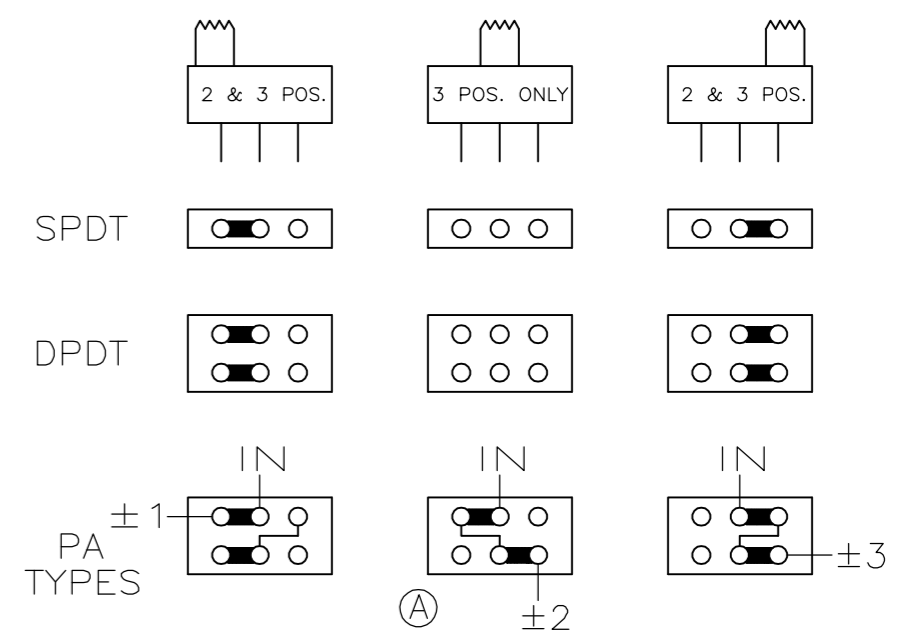
**MATERIALS:**  
 CONTACTS: COPPER WITH GOLD PLATE OVER NICKEL PLATE.  
 CASE: HIGH TEMPERATURE POLYESTER, 94V-0.  
 SLIDER: POLYESTER.

**ELECTRICAL:**  
 CONTACT RATING: 0.4 VA MAX. 20V MAX. (AC/DC).  
 CONTACT RESISTANCE: 40mΩ MAX @ 100 mV/100 mA  
 DIELECTRIC STRENGTH: 1000 VOLTS RMS @ SEA LEVEL.  
 INSULATION RESISTANCE: 1000 MEGOHMS @ 500 VDC.  
 LIFE: 60,000 - 80,000 CYCLES.

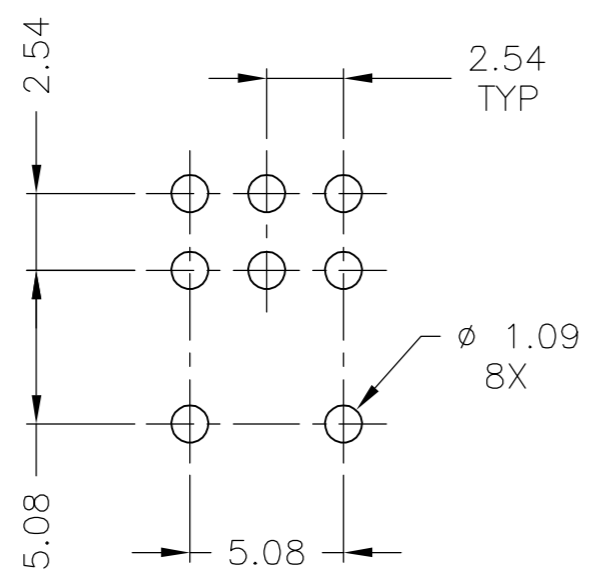
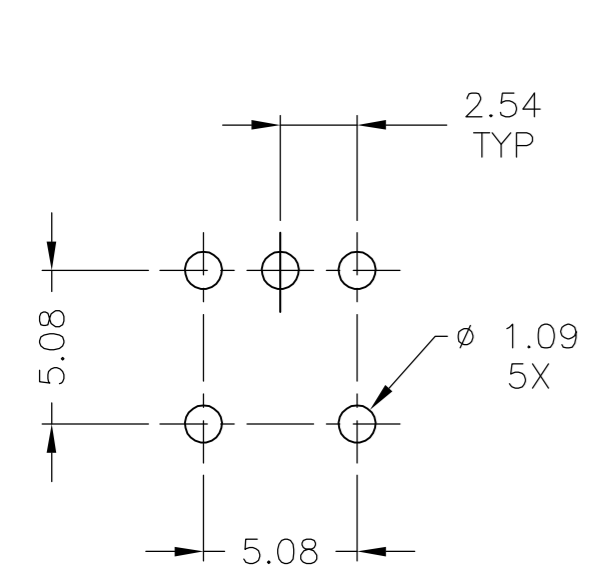
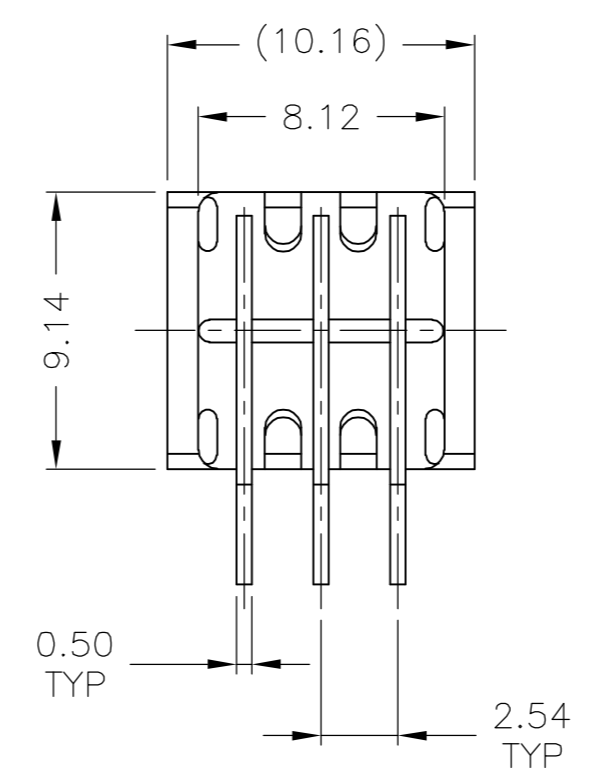
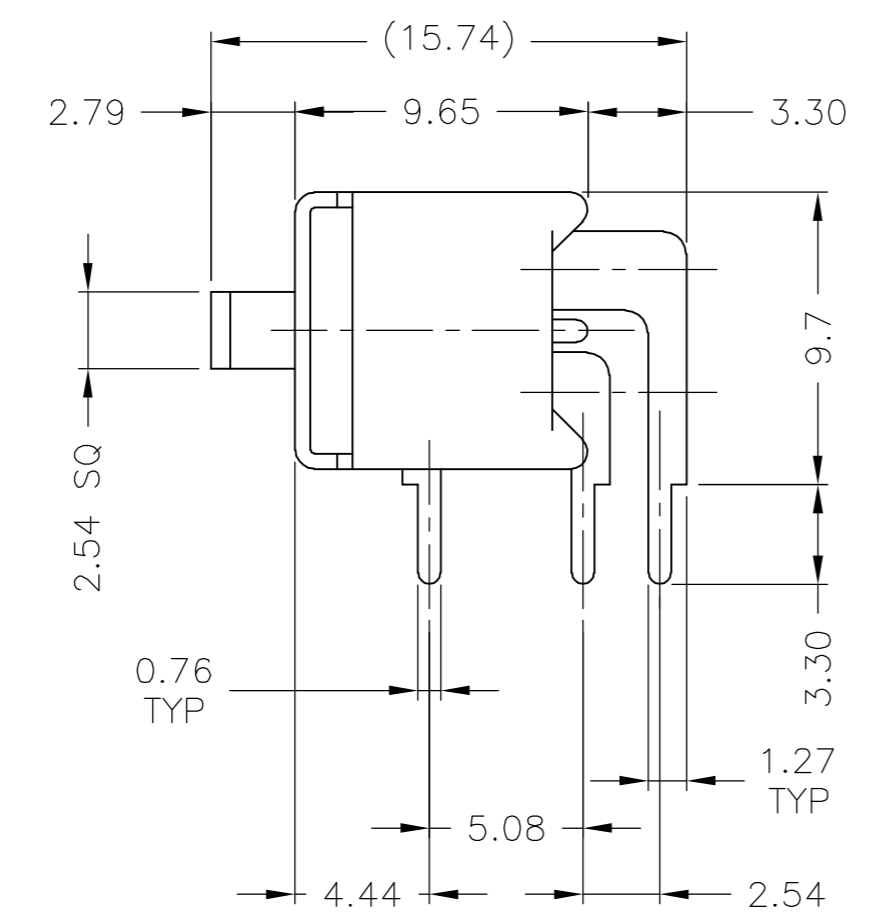
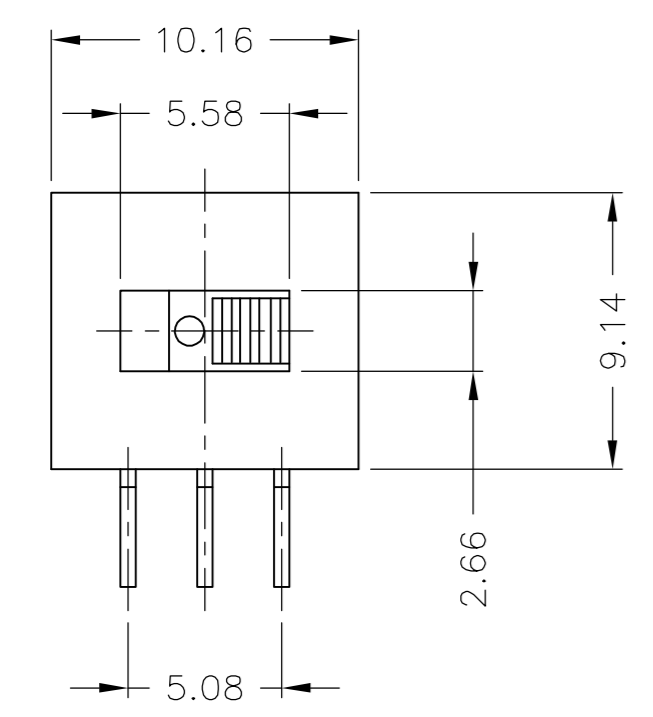
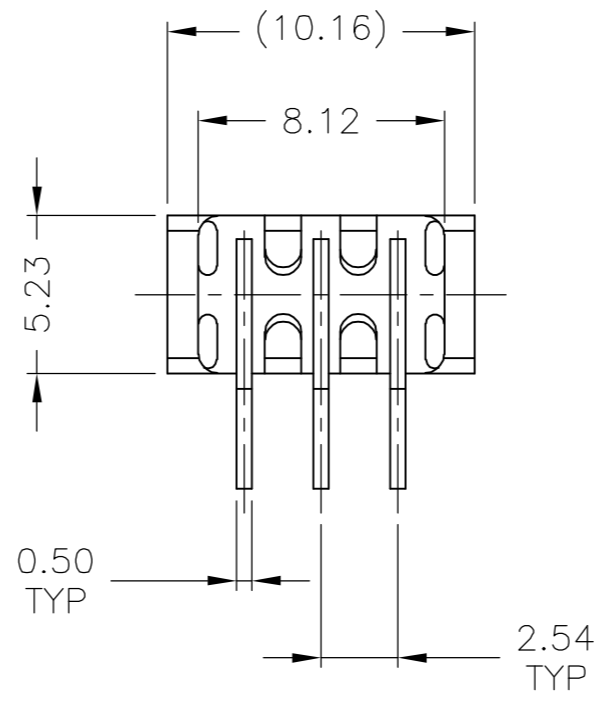
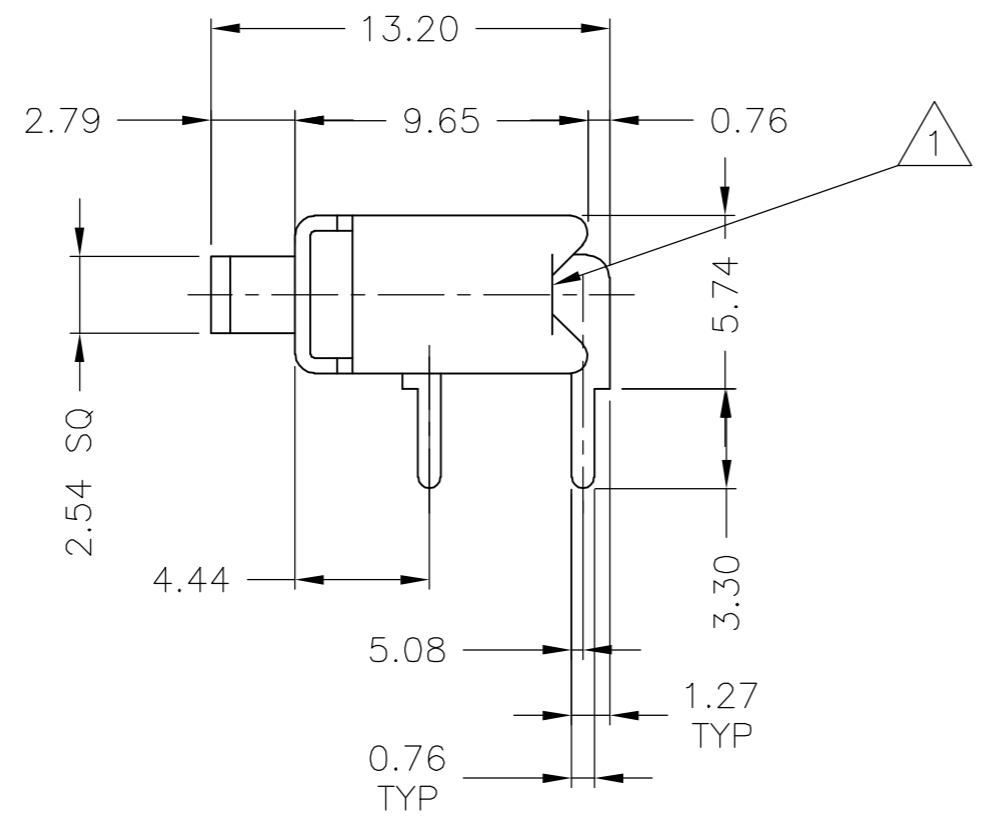
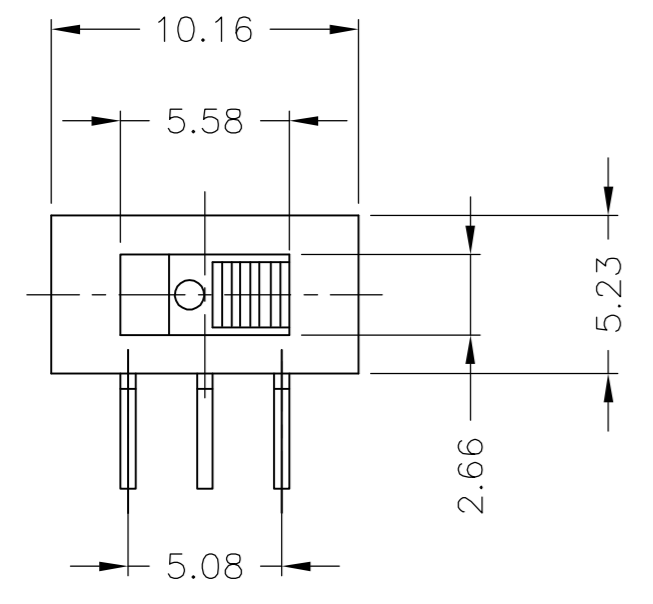
**ENVIRONMENTAL:**  
 OPERATING TEMPERATURE: -20°C TO +80°C (-4°F TO +176°F).  
 STORAGE: -20°C TO +80°C (-4°F TO +176°F).

**NOTES:**

- 1. EPOXY SEAL - 2-1437579-9 ONLY.
- 2. SOLDERABILITY PER EIA 364-52 CLASS 2 CATEGORY 1



TYCO PT. NO.	MODEL NO.	TYPE	POSN	ACTION
1-1437579-1	TSS11DG-RA	SPDT	2	ON-NONE-ON
1-1437579-5	TSS11EG-RA	SPDT	3	ON-OFF-ON
2-1437579-0	TSS21NG-RA	DPDT	2	ON-NONE-ON
2-1437579-4	TSS21PG-RA	DPDT	3	ON-OFF-ON
-	TSS21PAG-RA	DPDT	3	ON-ON-ON
2-1437579-9	TSS70932	SPDT	2	ON-NONE-ON



PC CUTOUT FOR SP

PC CUTOUT FOR DP

THIS DRAWING IS A CONTROLLED DOCUMENT.

DIMENSIONS: mm	TOLERANCES UNLESS OTHERWISE SPECIFIED:	DWN R. SWEENEY 13NOV1978	Tyco Electronics Corporation Harrisburg, Pa 17105-3808
	0 PLC ± -	CHK M SARVER 19APR04	
	1 PLC ± -	APVD M SARVER 19APR04	
	2 PLC ± -	NAME	
MATERIAL SEE SPECIFICATIONS	FINISH SEE SPECIFICATIONS	APVD M SARVER 19APR04	OUTLINE DRAWING TSS SLIDE SWITCH -
		APPLICATION SPEC	SIZE A2
		WEIGHT -	CAGE CODE 00779
		CUSTOMER DRAWING	DRAWING NO C=1-1437579-1
			RESTRICTED TO -
			SCALE 4:1
			SHEET 1 OF 1
			REV C